

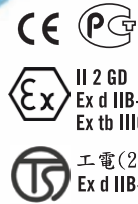
PRESSURE SWITCH EXPLOSION PROOF TYPE PS2000X

**CLASS I, GROUPS A, B, C, D;
CLASS II, GROUPS E, F, G; NEMA 4X**
Protection: IP68
Proof Pressure to 5000psi
Adjustable Ranges: 10~4000psi
Temperature: -30 to 205°C

The New-Flow PS2000X, an explosion proof pressure switch, is designed to be used in control systems. PS2000X has high set point repeatability and narrow dead band features. A variety of range selections are available upon request. Easily adjusted to the set point, and no special tools needed!



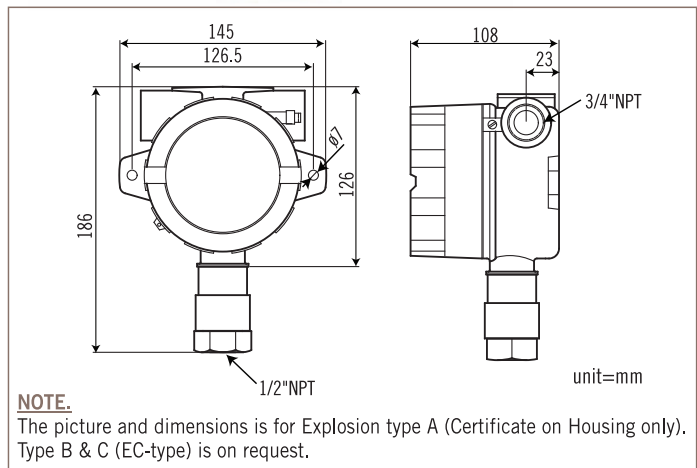
PATENT NO.
M295332
M334932
China: 920135



II 2 GD
Ex d IIB+H2 Gb T6
Ex tb IIIC Db T85°C

工電(2012)第00320號
Ex d IIB+H2 T6

Dimensions



Technical Data

Switch Data: one SPDT & two SPDT Microswitch, 15amps 125/250VAC, Gold Contact Microswitch 1A 125/250VAC
Housing: die cast aluminum alloy with paint
Conduit Connection: 3/4" or 1/2" NPT Female
Pressure Element: welded type diaphragm
Process Materials: wetted parts all in SS316
Process Connection: 1/2" or 1/4" NPT Female

Range Selection Table

Code	Adjustable Range	Dead Band	Maximum Pressure Proof
10R	10~100psi	0.9~2.1	3000psi
20R	35~200psi	1.4~5.4	3000psi
30R	50~300psi	1.4~6.9	3000psi
60R	100~600psi	1.7~15.1	3000psi
130R	100~1300psi	5.5~15	3000psi
240R	300~2400psi	19.6~39.5	4000psi
400R	400~4000psi	32.5~65.6	5000psi

Ordering Information

PS2000X	Code	Range	Code	Range	Code	Range	Code	Range
		10R 10~100psi	20R 35~200psi	30R 50~300psi	60R 100~600psi			
		130R 100~1300psi	240R 300~2400psi	400R 400~4000psi				
	Code	Wetted Material						
	A	SS316						
	Code	Process Connection						
		(1) 1/2" NPT Female (2) 1/4" NPT Female						
	Code	Conduit Connection						
		(E) 3/4" NPT Female, standard (F) 1/2" NPT Female						
	Code	Switch Form						
	1	One SPDT	2	Two SPDT (one setting point)	3	Gold Contact (SPDT)		
	Code	Explosion Type						
	A	Certificate on Housing Only—Class I, Groups A, B, C, D; Class II, Groups E, F, G; NEMA 4X						
	B	EC-Type Examination: ITRI/TAIWAN—Exd IIB + H ₂ T6						
	C	EC-Type Examination: ATEX—II 2 GD Ex d IIB + H ₂ Gb T6 Ex tb IIIC Db T85°C						
PS2000X								Complete Ordering Code