



Chart Recorder

Datasheet

SUP-R1200

SUP-R1200 is an intelligent and multi-functional device, which is able to provide 8 high accurate universal channels that can receive analog signals. The device adopts high accurate thermal printer, realizing data printing, chart printing or the mixed printing. And also have the high-definition OLED display

Display & Operation

Rich information is presented simultaneously, such as timing, data, chart, and alarming and so on; two types of display: set-channel and circular

Input function

Maximum 8 universal channels, receiving signals like current, voltage, thermocouple and thermal resistance and so on.

Relay out

Maximum 8 relay out
Power distribution: 24 volts

Recording

The imported vibration-resistant thermal printer has 832 thermal printing points within 104 mm and it has zero consumption of pens or ink and no errors caused by the pen's position; It records in the form of data or charts and for the latter form, it also prints scale label and channel tag.
The high accurate clock can work normally when the power is shut down.

Separate channel charts

By setting up the recording margin, different channel charts are separated.
Chart speed: Free setting range of 10-2000mm/h.

Power supply

- Voltage range: 220VAC or 24VDC

Normal operating condition

- Temperature: $23 \pm 2^{\circ}\text{C}$
Humidity: $55\% \pm 10\%\text{RH}$

SPECIFICATIONS

• Construction

Mounting: Flush panel mounting (on a vertical plane)
 Mounting may be inclined downward up to 30 degrees from a horizontal plane.

Allowable Panel Thickness: 2 to 26 mm
 Front Panel: Water and dust-proof

• Input specifications

Input Type

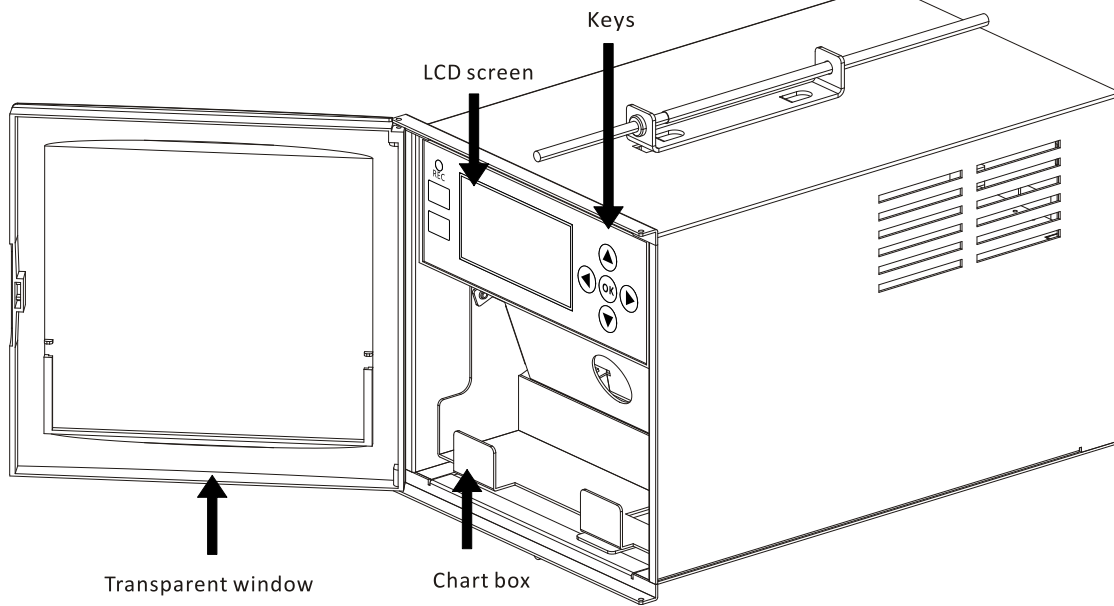
Input Mode	Signal Type			
DC current	0-10mA	4-20mA	4-20mA _{sq}	
DC voltage	0-20mV	0-50mV	0-100mV	0-5V
	1-5V	1-5V _{sq}	0-10V	
Thermocouple	S, B, K, T, E, J, R, N			
RTC	PT100, Cu100, Cu50			

General Specifications

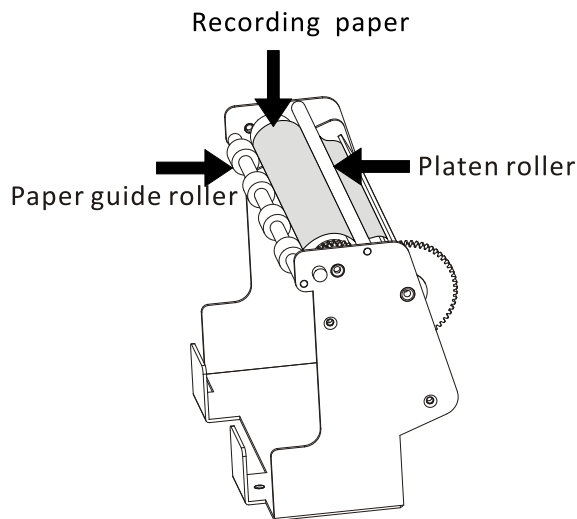
Accuracy	±0.2% of input scale
Sampling Cycle	1 second
Chart Paper	Folding, valid chart format 104mm
Record Points	Maximum 8 Channels
Paper Feed Speed	10-2000mm/h

Operation Environment

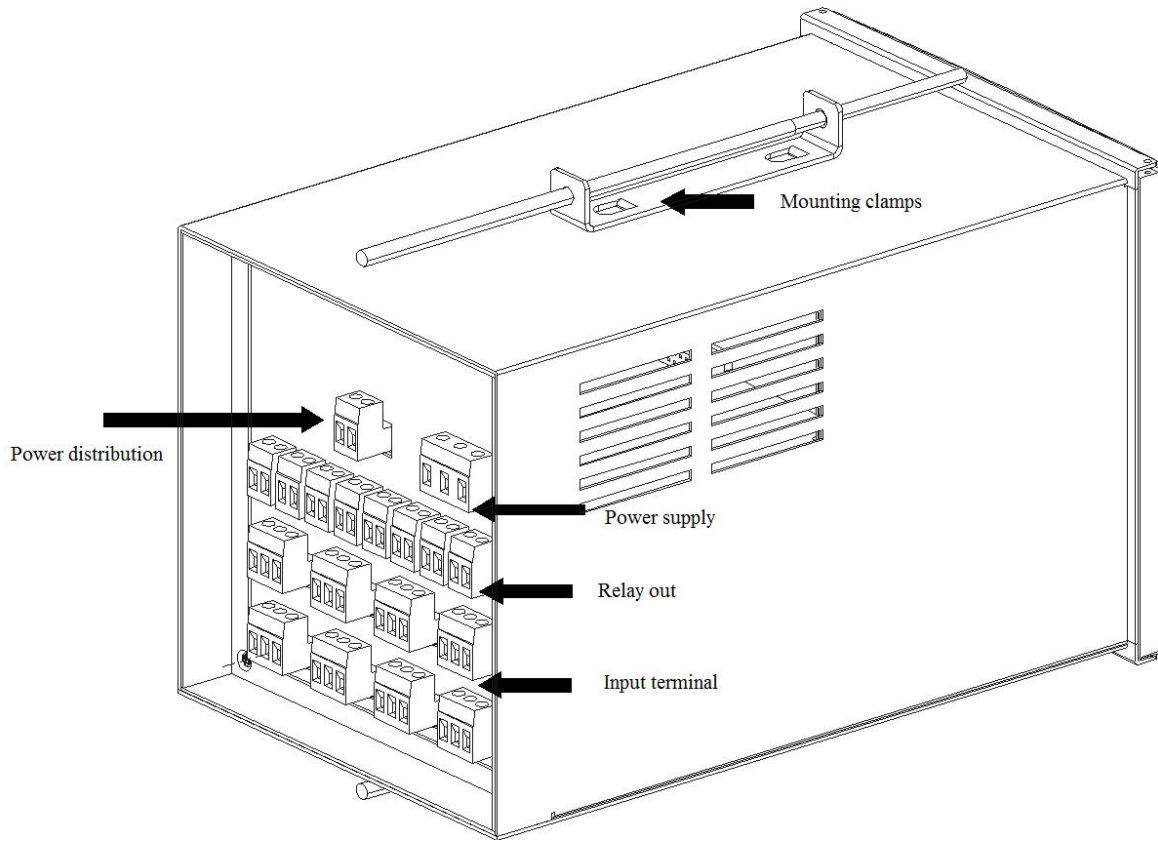
Power Voltage	220VAC/24VDC
Power Frequency	50Hz
Environmental Temperature	0~50°C
Humidity	0~85%RH (non-condensation)
Warm-up Time	30 mins after power connection
Installation location	Indoors



Parts	Description
Transparent window	High transparent PC material makes clearly observation
LCD screen	Image resolution
Keys	7 keys
REC	When the recording light is on, the recorder is working.
Chart box	The place to put the charts



Parts	Description
Chart box	To place thermal paper
Paper guide roller	To make the paper cling to heating heads
Platen roller	To ensure the successful folding, exit and entrance into the chart box



Parts	Description
Mounting clamps	Mounting brackets for the panel meters
Input terminal	Input of current, voltage, thermal resistance and thermocouple etc.
Relay out Terminal	Relay out
Power distribution	24VDC output
External power terminal	Power supply

• Ordering code

SUP-R1200 Paper recorder						
Model	Form					Specification
Input		_A	_	_	_	No.
		1				1 channel input
		2				2 channel input
		3				3 channel input
		4				4 channel input
		5				5 channel input
		6				6 channel input
		7				7 channel input
		8				8 channel input
Relay out			0			None
			2			2 channel relay out
			4			4 channel relay out
			6			6 channel relay out
			8			8 channel relay out
Power distribution				P0		None
				P1		1 channel
Power supply					A	AC220V
					D	DC24V



China	Singapore	Germany	Malaysia
Supmea China Headquarters	Supmea Singapore Branch	Supmea German Branch	Supmea Malaysia Branch
Address: No.600, No. 21 Street, Hangzhou Developmental Zone, Zhejiang, China	Address: 2 Venture Drive #11-30 Vision Exchange Singapore	Address: Göttinger Straße.59 30449 Hannover Niedersachsen Deutschland	Address: No 3, Jalan Emas Jaya 1, Taman Industries Emas jaya Tongkang Pecah , Batu Pahat