

◆ **Technical Data:**
Model: PR-26AC-R-N

GENERAL SPECIFICATIONS

Timers: 1024

Counters: 1024

Function Blocks: 1024

Operation temp.: -20°C - 55°C

Storage: -40°C - 70°C

Protection: IP20 (Non-waterproof)

RTC accuracy : MAX ±2S/day

RTC Backup at 25 °C: 20 days

Program and settings Backup: 10 years

Data Power-off retentivity: 10 years

Modify parameters via keypad LCD: YES

Dimensions: 133*90*60 (Unit: mm)

Certificate: CE

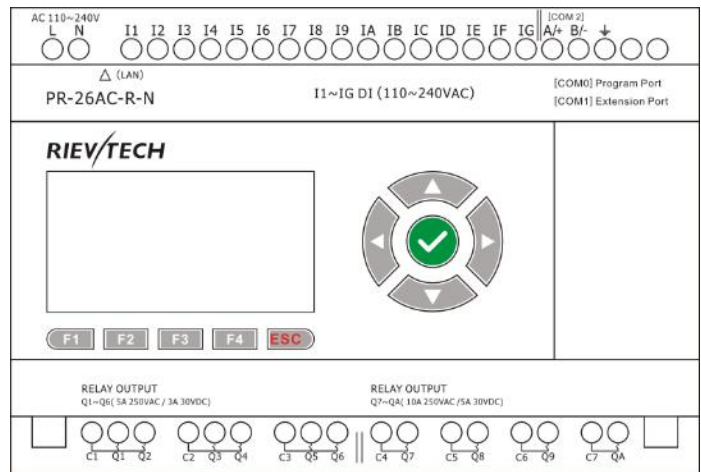
Installation: 35-DIN rail or screw for installation

Expansion capacity: 16 modules (PR-E-16)

Password protection: 4-digit number password protection or disable program upload function

Communication interface: 1 RS232 Port (COM0) & 1 RS485 port (COM1 external) available via optional accessory, 1 built-in RS485 (COM2), 1Ethernet port.

Communication protocol: Modbus RTU/ASCII, Modbus TCP

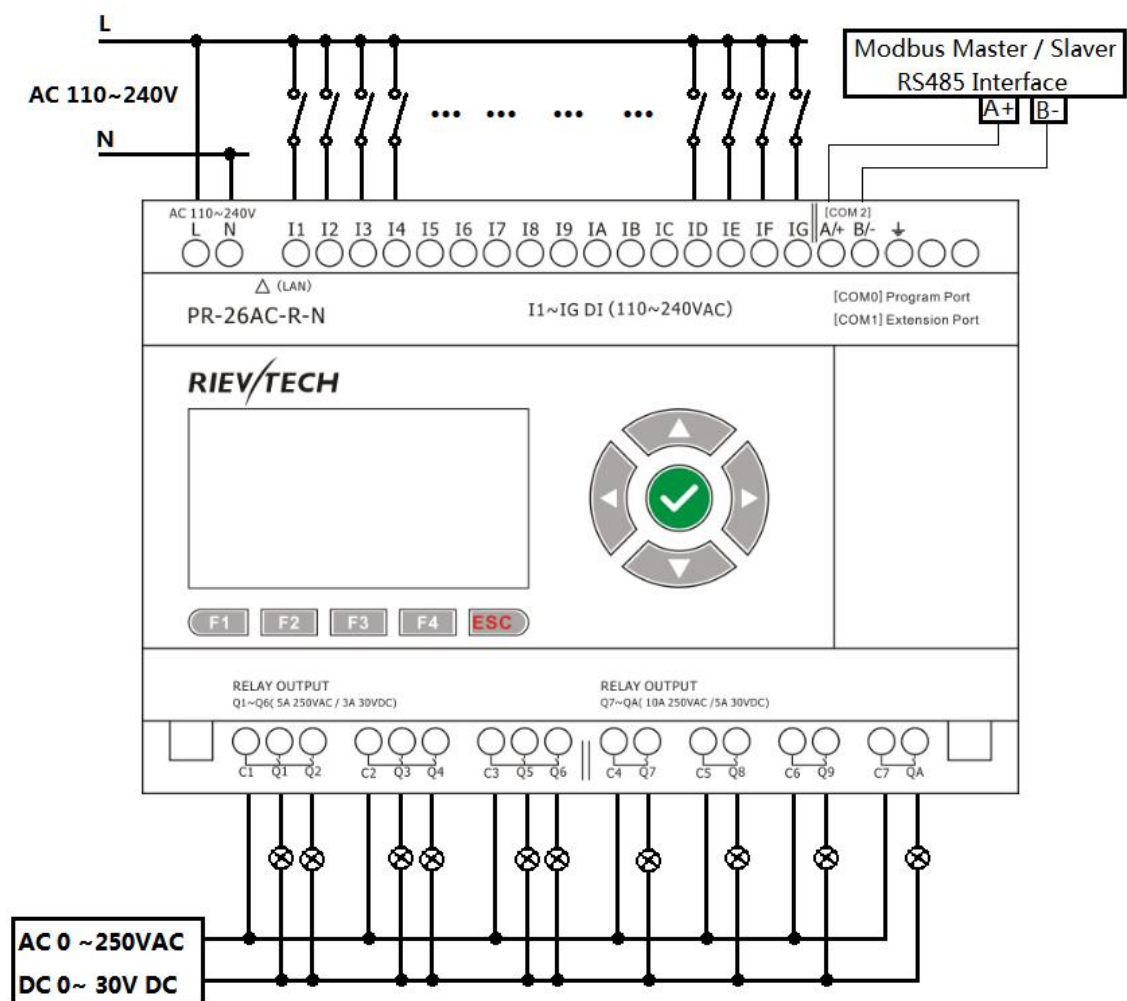
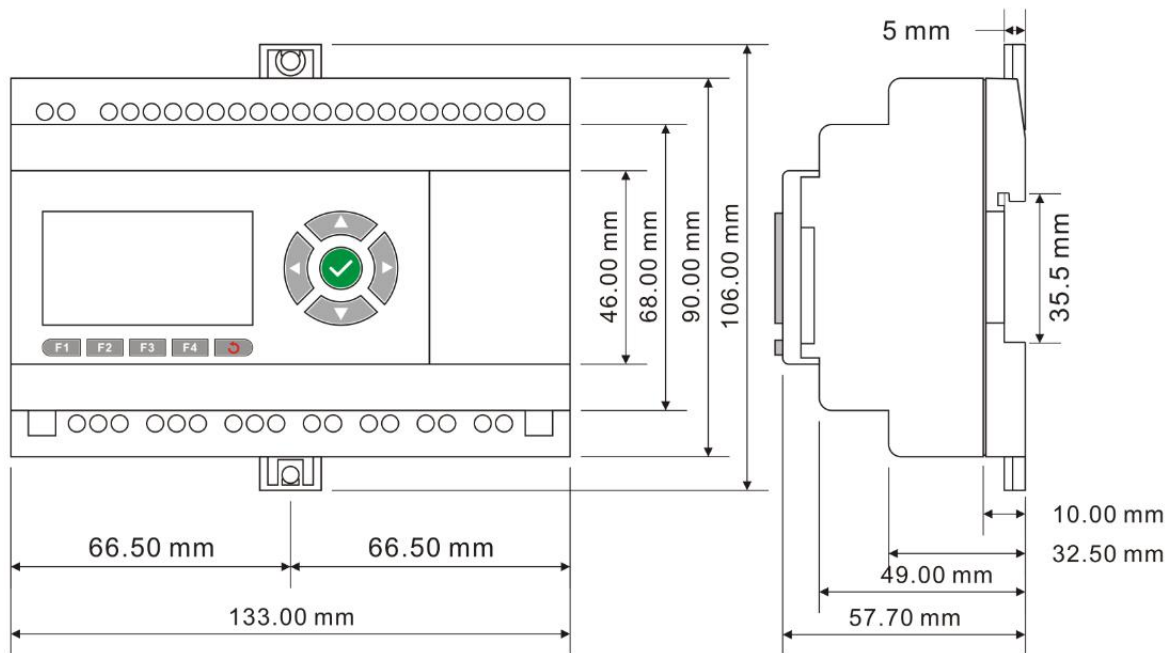


Technical Index

Power supply:	
Nominal voltage	AC110V-240V
Operating limits	AC85 - 265 V
The main frequency range	47-63Hz
Max. absorbed power	50mA (85V ac) ; 40mA (265V ac)
Isolation voltage	1780V AC
Protection against polarity inversions	Yes
Input parameters:	
Input No	16(I1-IG)
Digital input	16 (I1-IG)
Analogue input	None
Input voltage	AC110-240V
Input signal0	AC0-40V; <0.03mA
Input signal1	AC79-240V; >0.06mA
Input Response Time	Delay time at 0 to 1: 120V AC : Typ. 50 ms 240V AC : Typ. 30 ms Delay time at 1 to 0: 120V AC : Typ. 90 ms 240V AC : Typ.100 ms
Maximum counting frequency	Typ. 4Hz

Sensor type	Contact or 3-wire PNP
Isolation between power supply and inputs	None
Isolation between inputs	None
Protection against polarity inversions	Yes
Input type	Resistive
Isolation between power supply and inputs	None
Isolation between inputs	None
Output	
5A Relay 6 outputs from Q1 to Q6	
Max. breaking voltage	CE:AC 250 V/DC 30 V 5A UL:AC 250 V/DC 30 V 3A
Electrical durability Expectancy	10 ⁵ Operations at Rated Resistive Load
Mechanical life	10 ⁷ Operations at No Load condition
Response time	Operate Time: 15 mSec. Max. Release Time: 10 mSec. Max.
Built-in protections	Against short-circuits: None Against overvoltages and overloads: None
10A Relay 4 outputs from Q7 to QA	
Max. breaking voltage	CE:AC 250 V/DC 30 V 10A UL:AC 250 V/DC 28 V 5A
Max. Allowable Power Force	1250VA
Electrical durability Expectancy	10 ⁵ Operations at Rated Resistive Load
Mechanical life	10 ⁷ Operations at No Load condition
Response time	Operate Time: 15 mSec. Max. Release Time: 10 mSec. Max.
Built-in protections	Against short-circuits: None Against overvoltages and overloads: None
Communication ports parameters:	
COM0_TTL port	Can be used as program port with PR-RS232&PR-USB; Also can be convert to RS232 port with PR-RS232 Can be convert to RS485 port with PRO-RS485 Note:Need move away the expand cover to use it Can be used as mobus master or slave
Built-in RS485	1 built-in RS485 port (Terminal A+,B-) Can be used as mobus master or slave
Ext RS485	Need use with PR-E-RS485 module Can be used as mobus master or slave
Ethernet port:	Built-In(10M/100M), 1.Can be used as program or communication 2.Can be used as mobus master or slave
Monitoring webserver page	Yes
Xlogic<--->Xlogic(by Ethernet)	1 xlogic works as tcp server can connect with 8 tcp client xlogics or other tcp devices.
Xlogic<--->Ethernet/Internet:	1 xlogic works as TCP clients can connect with 8 different tcp servers separately in maximum
Other parameter	
Weight	Approx.400g

Dimension and wiring



SYSTEM				Operating System requirements		Windows /2000/XP/WIN7/WIN8		Programming languages		Function block		Program Memory		1024		Execution Speed		<0.1ms per function		LCD Display		4 lines x 16 characters		Functions		Up to 70 function blocks										
BASIC	Timers						a.On-delay; b.Off-delay etc.																													
	Maximum Number		1024						Up to 12 kind Timers																											
	Timing Ranges		10ms--99 h59m																																	
	Counters						a.Up/down Counter																													
	Maximum Number		1024						b.Hours Counter																											
	Highest Count		99999999						c.Frequency Threshold																											
	Resolution		1				Trigger																													
	RTC						a.Weekly Timer																													
	Number available		1024						b.Yearly Timer																											
	Resolution		1 min																																	
	Time span available		Week/year-month-day-hour-min																																	
	Flags						a.Digital Flag																													
	Digital flags		256						b.Analog Flag																											
	Analog flags		256																																	
	PI Functions						a.PI Controller																													
	Number available		30																																	
	Parameter Ranges		1-32767																																	
	Analog Math						a.Analog Math																													
Number available		1024					b.Analog Math																													
Function		ADD, Subtract,Multiply, Divide					Error detection																													
Analog Ramp Function						a. Analog Ramp																														
Number available		55																																		
Compare Function						a.Analog compactor																														
Number available		1024						b.Comparison of 2 values																												
Special Functions	HMI Screens						a.Message texts																													
	Number available		128																																	
	Display/Edit		Preset Current value and Free text																																	
	PWM Functions						a.PWM																													
	Number available		1024, (2 fast output for Transistor)																																	
	Communication Functions						a.Modbus write																													
	Number available		1024(Only CPU works as Master need these 2 blocks, slave does not need)						b.Modbus read																											
	Word/bit data Conversion		Square Boot		Sin/Cos		RS latch relay																													
	Data-logger Function		Analog watchdog		Analog filter		Average value																													
	Pumps Management		Defrost function		Multiplexer		Pulse Relay																													
Cam Control		Astronomical clock		Stop watch		Boolean function																														
<p>Note: 1.Not all program functions are listed in this table i.e. AND,NAND,OR,NOT,NOR,XOR,SHIFT REGISTER,DATA LATCHING RELAY, COMPORT STATUS etc.</p>																																				